

Product: Coupler



Part Number: LDC-18/40-30S

Specification					
No.	Parameter	Minimum	Typical	Maximum	Units
1	Frequency range	18	-	40	GHz
2	Nominal Coupling		30		dB
4	Insertion Loss			1.0	db
5	Coupling Accuracy	-	-	±1.0	dB
6	Coupling Sensitivity to Frequency		-	±0.7	dB
7	Directivity	12			dB
8	VSWR	-	-	1.7	-
9	Power			20	W cw
10	Operating Temperature Range	-40	-	+85	°C
11	Impedance	-	50	-	Ω
12	Connector	2.92-F			
13	Preferred finish	yellow			

Remarks:

1.Include Theoretical loss 0.004db 2.Power rating is for load vswr better than 1.20:1

Environmental Specifications	
Operational Temperature	-40°C~+85°C
Storage Temperature	-50°C~+95°C
Vibration	25gRMS (15 degrees 2KHz) endurance, 1 hour per axis
Humidity	100% RH at 35°C, 95%RH at 40°C
Shock	20G for 11msec half sine wave,3 axis both directions
Mechanical Specifications	
Housing	Aluminum
Connector	Passivated or stainless steel
Female Contact:	gold plated beryllium brass
Rohs	compliant
Weight	0.1kg

Outline Drawing:

All Dimensions in mm

成都利德尔科技有限公司 ChengDu Leader Microwave Technology Co.,Ltd

电话: 028-65199117 传真: 028-65199116

<http://www.leadermicrowave.com> sales@leader-mw.com

TEL: +86-28-65199117 FAX: +86-28-65199116

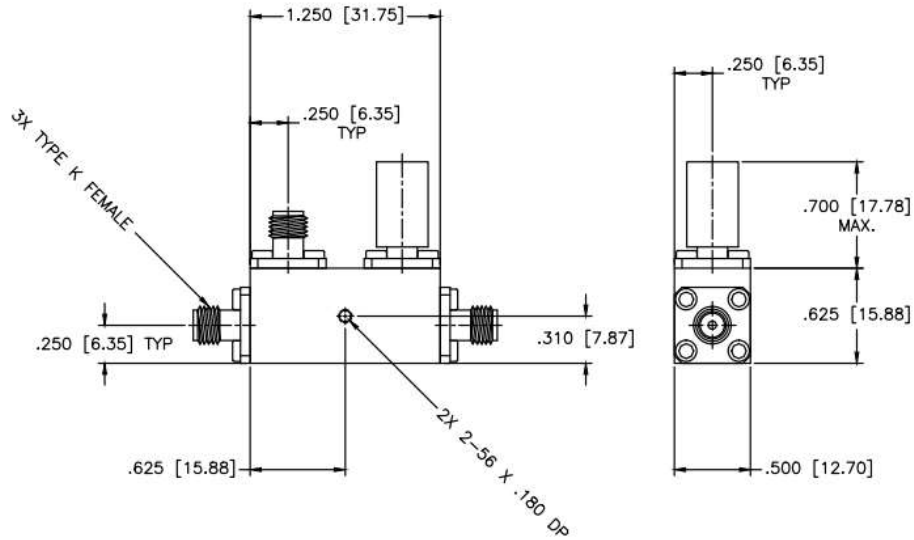
Add: 中国 成都市成华区华翰路 89 号 610000

No.89,Huahan Road, chenghua Zone Chengdu, Sichuan China Zip Code:610000

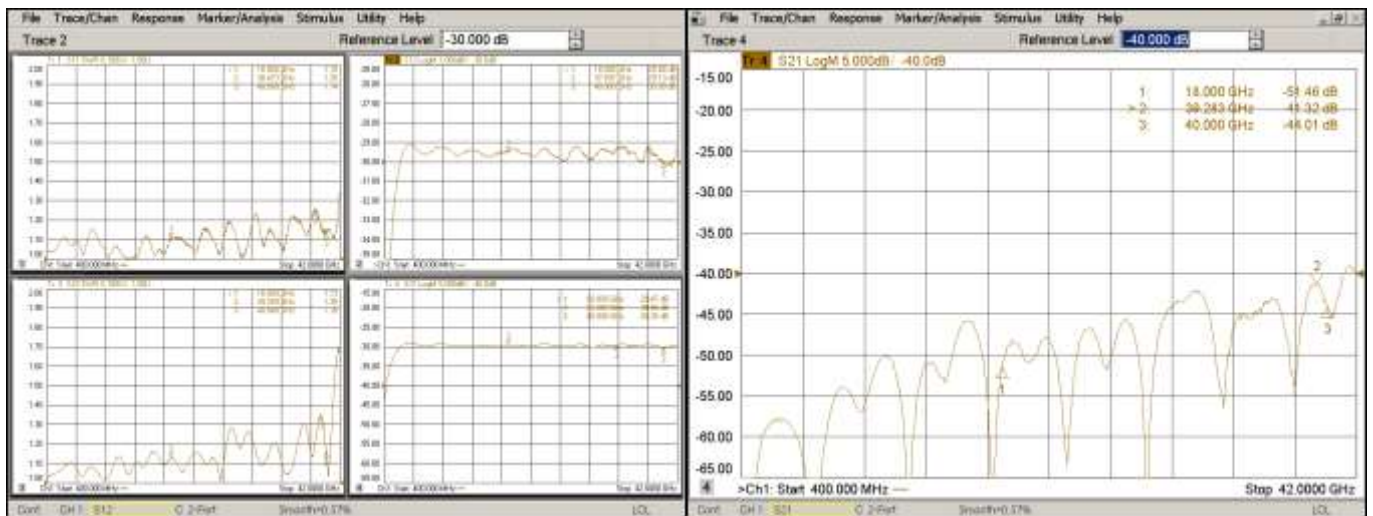
Outline Tolerances $\pm 0.5(0.02)$

Mounting Holes Tolerances $\pm 0.2(0.008)$

All Connectors: 2.92-Female



TEST DATA



成都利德尔科技有限公司 ChengDu Leader Microwave Technology Co.,Ltd

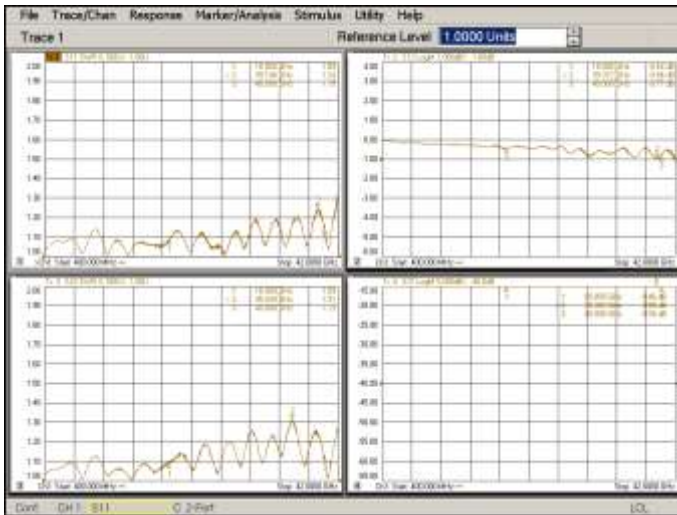
电话: 028-65199117 传真: 028-65199116

<http://www.leadermicrowave.com> sales@leader-mw.com

TEL: +86-28-65199117 FAX: +86-28-65199116

Add: 中国 成都市成华区华翰路 89 号 610000

No.89,Huahan Road, chenghua Zone Chengdu, Sichuan China Zip Code:610000



成都利德尔科技有限公司 ChengDu Leader Microwave Technology Co.,Ltd

电话: 028-65199117 传真: 028-65199116

<http://www.leadermicrowave.com> sales@leader-mw.com

TEL: +86-28-65199117 FAX: +86-28-65199116

Add: 中国 成都市成华区华翰路 89 号 610000

No.89,Huahan Road, chenghua Zone Chengdu, Sichuan China Zip Code:610000